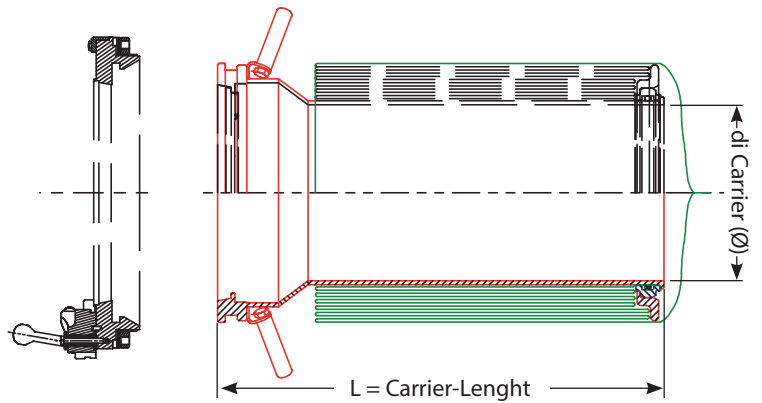




CLCC liner carrier (with RTP Beta)



The standard sizes

Type – RTP Beta-Port	CLS Liner Types	CLS Liner folding-height
DPTE-190	CLS-300 – 910	150mm – 400mm
DPTE-270		
DPTE-350		
DPTE-460		

- The RTP Beta ports can be combined with our continuous liner types **CLS-300-910**.
- Depending on the type of continuous liner you can choose between folding heights of 150mm-400mm.
- The design and dimensions can be manufactured according to customer specifications.