



Liner-carrier types



#### Fields of application

- Drum filling station
- Continuous liner port for isolator systems
- Waste-port
- Filter-cleaning
- Sampling
- Cleanroom-port  
e. g. for waste or dirty clothes

#### Scope of delivery

- Liner-carrier system
- 1 piece O-ring clamp
- 1 piece O-Ring
- Technical documentation
- Instruction manual

The liner-carrier system is used wherever continuous liners must be mounted on a system or on an isolator system as a liner port. The liner package is placed on the support tube, sealed with an O-ring, pressed and secured additionally with an O-ring clamp.

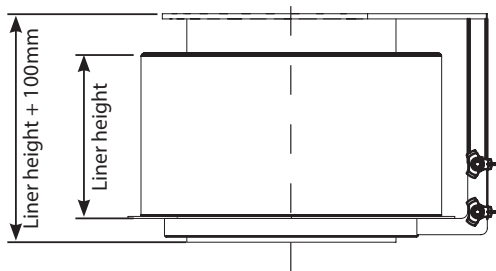
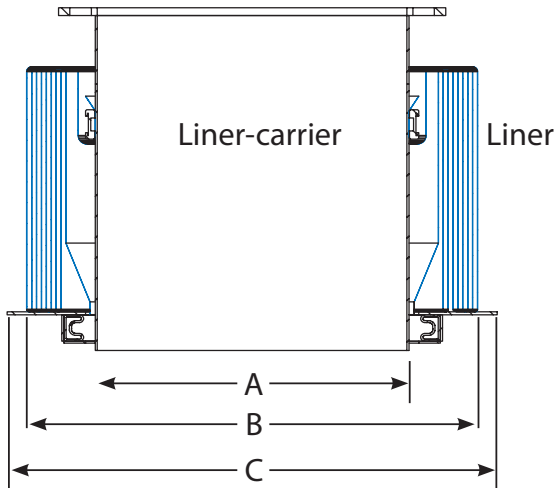
The connection of the liner-carrier can be individually adapted to the interface of the system, for example by TriClamp or flange connection.

The liner-carrier is available in different sizes, matching to the standard continuous liner types from CLS-300 to CLS-1100, with folding-heights from 150 mm up to 400 mm.

The total height of the liner-carrier system depends on the folding height of the liner package. The total height is usually 100 mm more than the folding height of the continuous liner.

The liner-carrier is made entirely of polished stainless steel. Product contact parts made of 316L. Also possible are special designs with special surface finishes or materials made of Hastelloy or plastic.





Type	A* Tube-Ø (mm)	B Liner-Ø (mm)	C Ring-Ø (mm)	Liner- heights (mm)
<b>CLS-300</b>	115	190	240	150/300
<b>CLS-400</b>	170	250	300	150/300
<b>CLS-500</b>	220	320	370	170/250/ 400
<b>CLS-600</b>	300	380	430	170/250/ 400
<b>CLS-700</b>	340	450	500	170/250/ 400
<b>CLS-800</b>	370	500	550	170/250/ 400
<b>CLS-910</b>	420	580	630	170/250/ 400
<b>CLS-970</b>	450	620	670	170/250/ 400
<b>CLS-1100</b>	530	700	750	170/250/ 400

\* Tube-Ø are approximate and may vary depending on the application

